



# TYPES OF CHECK VALVES

- ✓ Air Check Valve
- ✓ Water Check Valve
- ✓ Fuel Check Valve
- ✓ Swing Check Valve
- ✓ Gas Check Valve

[www.checkvalves.in](http://www.checkvalves.in)



# AIR CHECK VALVE

Air check valve is one way valve that generally allows air to flow from it in only one direction. Such check valves are used in air compressor. It prevents reverse air flow of compressed air in air compressor. These air check valve is among the few self-automated valve that don't need support to open and close.



[www.checkvalves.in](http://www.checkvalves.in)



# WATER CHECK VALVE

Water check valve is installed in water supply pipelines to avoid back flow of water in it. Water check valve is mainly used in industries who all use water regularly of their production practice. Generally is used in domestic, water treatment plant, agriculture industries, etc. We are manufacturer of water check valve in india.



[www.checkvalves.in](http://www.checkvalves.in)



# FUEL CHECK VALVE

Fuel check valve is reliable and simple spring loaded valve design that stops fluid entering into interlinks pipelines. It is widely used in petrochemical and chemicals industries. This valve is normally in closed position to offer motive flow line separation from downstream pipelines.



[www.checkvalves.in](http://www.checkvalves.in)



# SWING CHECK VALVE

Swing check valve is a perfect choice when flow pressures and any thrashing properties are an imperative project reflection. It is generally installed in horizontal position that prevents unlikely failure of valve. The swing check valve provide low pressure drop and low leakage rate.



[www.checkvalves.in](http://www.checkvalves.in)



# GAS CHECK VALVE

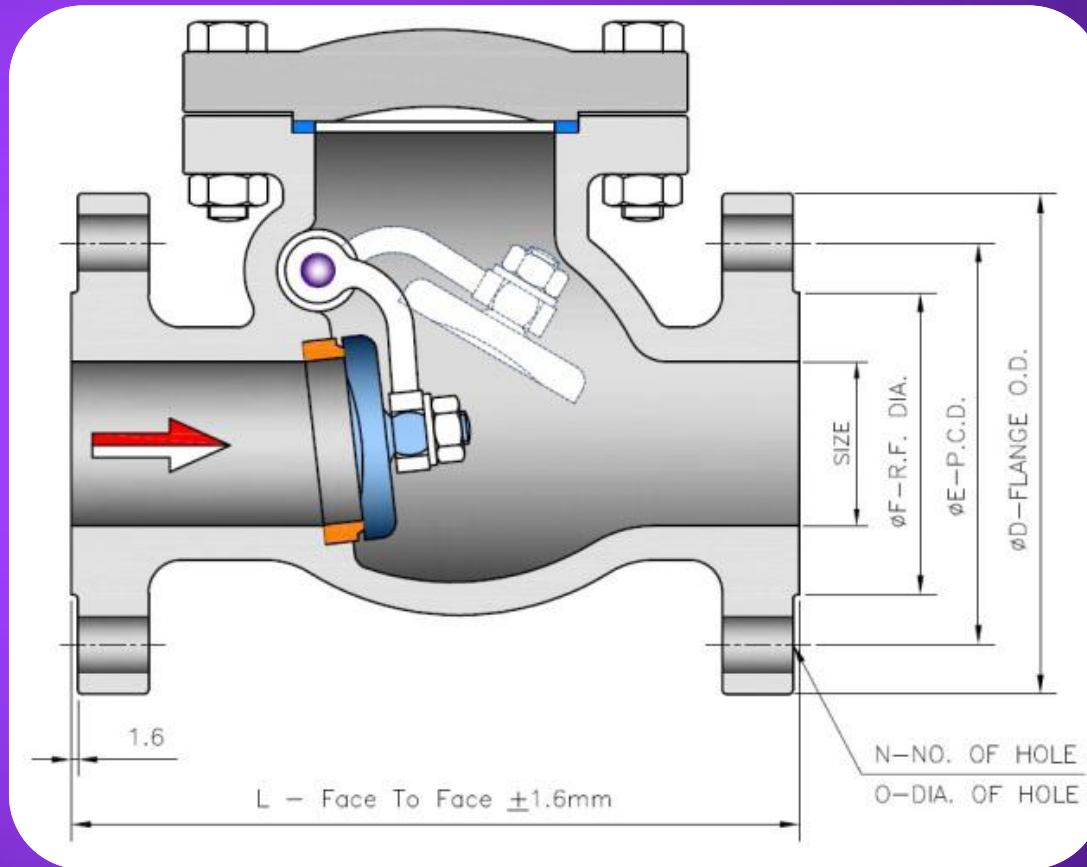
The gas check valve is open once in a while the need of venting any hazardous gas which trapped in the plant. This check valve is designed to be used as a unnecessary check in aggregation with the gas container for the safety purpose. We offer extreme robust and various variety of check valve that widely used in oil & gas, pneumatic industries.



[www.checkvalves.in](http://www.checkvalves.in)



# DIAGRAM OF CHECK VALVE





# APPLICATION OF CHECK VALVE

**Chemical Industries**

**Oil & Gas Industries**

**Mining Industries**

**Process Industries**

**Power Plant**

**Sewage Treatment Plant**

[www.checkvalves.in](http://www.checkvalves.in)





# CONTACT

Address : 1, Ajmeri Udyog Estate, Dhobighat,  
O/s Shahpur Gate, Behind Municipal  
Quarters, Ahmedabad, 380 004  
Gujarat, India

Phone : +91 - 79 - 2562 5382, 2562 7177

Email : [info@checkvalves.in](mailto:info@checkvalves.in)  
[info@beenavalves.com](mailto:info@beenavalves.com)

[www.checkvalves.in](http://www.checkvalves.in)